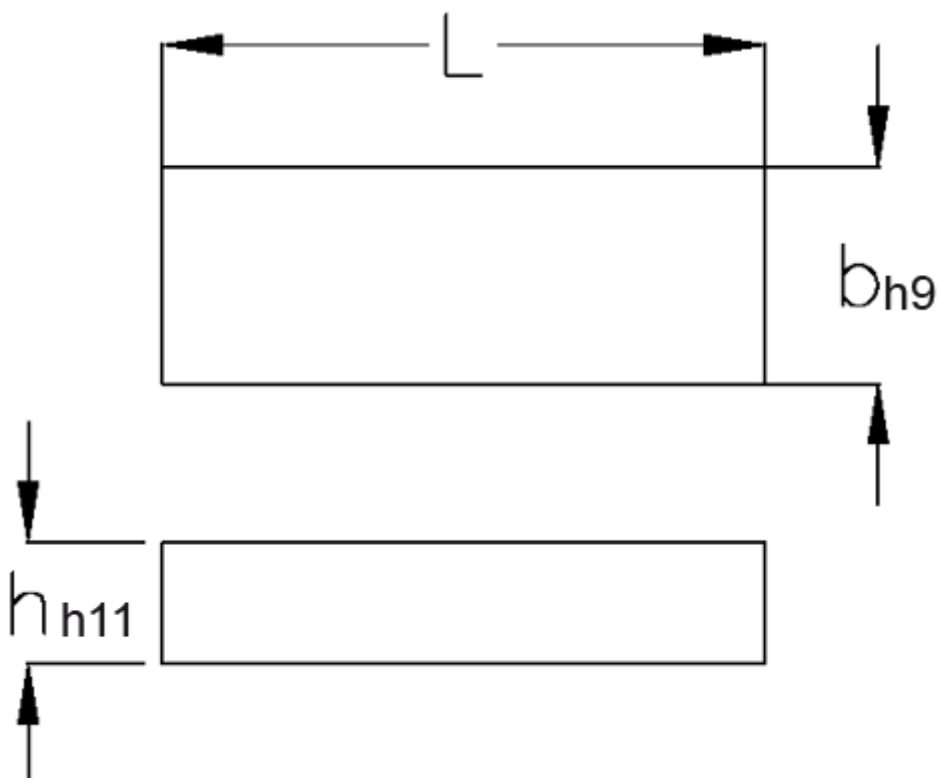


Article number: 09065515

Description: KLEE Feather keys B 5x5x15 DIN 6885

## Measures



$b$	$= 5$
$h$	$= 5$
$L$	$= 15$
Tolerance $b$	$= 0.030$
Tolerance $h$	$= 0.075$
Tolerance $L$	$= -0,2$